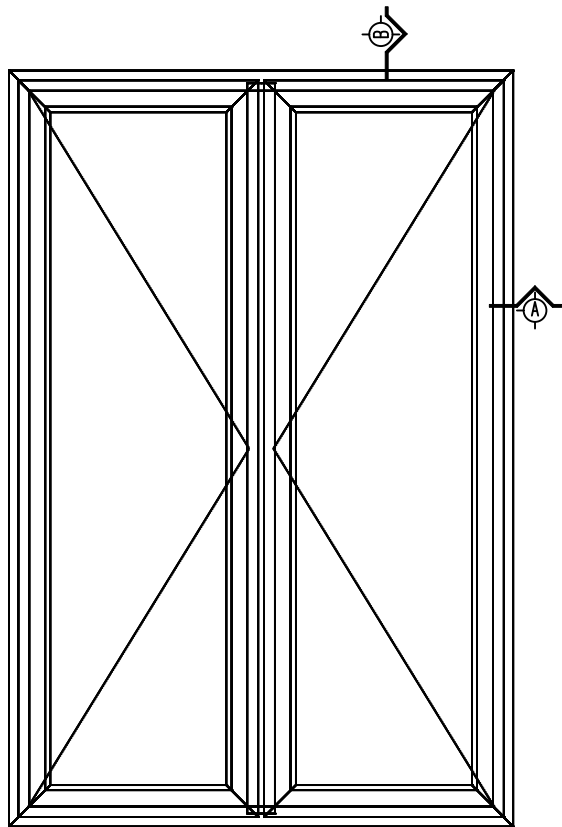
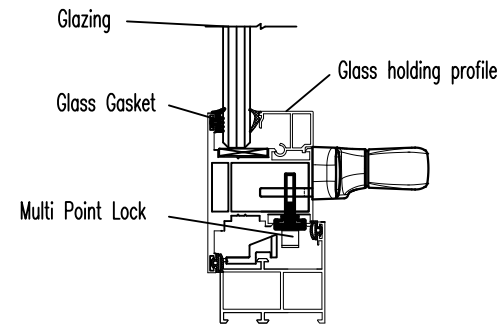
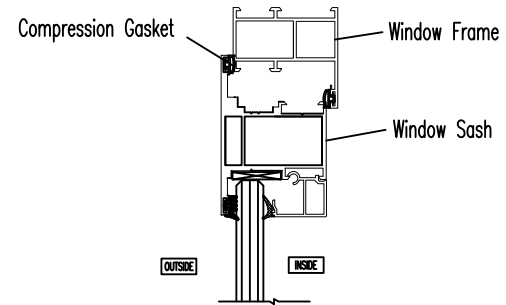


B SECTION DETAIL



1 FRONT ELEVATION
NTS



A SECTION DETAIL

German Windows Malaysia Sdn Bhd
(9651677)

W www.germanwindows.com.my
E enquiry@germanwindows.com.my

Client _____

Drawing Title _____

Drawn by _____
Andre Geffke

Drawing No. _____ Pg No.
02

Scale _____ Date _____
1 : 1 06-10-2021

Revision Details _____ Rev. _____

Client's Acknowledgement _____

NAME :
I/C NO. :
DATE :